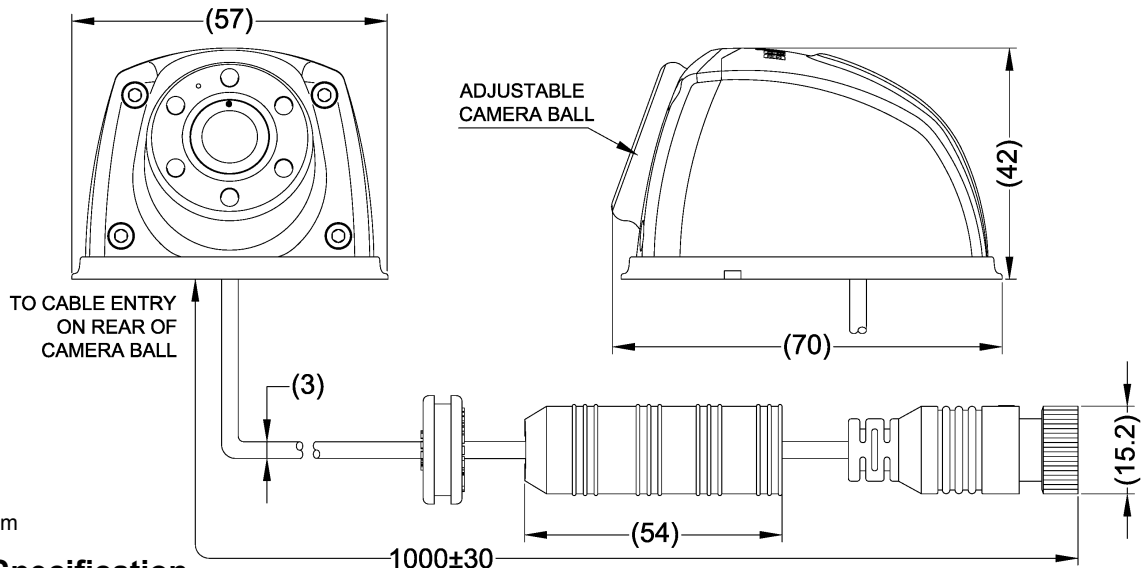


# Product Specification



Brigade Model Number:  
Brigade Part Number:

VBV-300C	VBV-301C	VBV-320C	VBV-321C
5211	5213	5215	5217



Dimensions: mm

## Product Specification

### Environmental Specifications:

- Shock Rating: 51 G (All 3 Axis - 6 directions)
- Vibration Rating: 8.5 G (All 3 Axis - 32hrs each)
- Camera IP Rating: IP69K
- Connector IP Rating: IP67
- Operating Temperature: -30° to +70°C
- Storage Temperature: -40° to +85°C

### Approved Standards:

- CE - (EN 61000-6-3:2007 + A1:2011 + AC:2012  
EN 61000-6-2:2005 + AC:2005 )
- FCC - (47 CFR Part 15 Subpart B)
- 'E' Mark - (ECE Regulation 10 Rev 05)
- Ingress Protection - (ISO 20653:2006)
- Elements of ISO 16750:2012
- RoHS2
- WEEE

### Technical Specifications:

- Operating Voltage: 12 Vdc ± 2Vdc
- Current Consumption: ≤165mA @ 14 Vdc
- Power Consumption: ≤2.3 Watts
- Imaging Devices: CCD - 1/3" Sharp  
DSP - Seinmedia
- TV System:
  - VBV-300C / VBV-320C: PAL
  - VBV-301C / VBV-321C: NTSC
- Picture Elements:
  - VBV-300C / VBV-320C: 976(H) x 582(V)
  - VBV-301C / VBV-321C: 976(H) x 494(V)
- Visual Resolution:
  - VBV-300C / VBV-320C: 780 TV Lines
  - VBV-301C / VBV-321C: 600 TV Lines
- Lens Focal Length: 1.7mm
- Required Illumination: 0 Lux (IR LED ON)
- Illumination Area: Approx. 4.5m (L) x 3m (W)

### Technical Specifications Continued...

- Viewing Angle:
  - PAL: 110° (H), 82° (V), 152° (D) ± 5%
  - NTSC: 111° (H), 80° (V), 153° (D) ± 5%
- Assembled Weight: 150 Grams
- Video Output: Approx. 1.1 Vp-p / 75Ω
- Length of Cable: 1000 ± 30mm
- Overall Dimensions: 57mm (W) x 70mm (D) x 42mm (H)
- Housing Material: Aluminium Alloy
- Camera View:
  - VBV-300C / VBV-301C: Fixed - Mirror
  - VBV-320C / VBV-321C: Fixed - Normal
- Finish: Black Powder Coating
- Ball adjustment: Up 26°; Down 4°;  
Left / Right 4°
- Ball rotation: ±180°

### Features:

- Night Vision via 5 x High Power Infrared LEDs enabled by integrated Day / Night sensor
- Integrated Microphone
- High Quality Sharp CCD & Seinmedia DSP
- Back Light Compensation
- Automatic White Balance
- Fixed IRIS
- VBV Type Female Connector
- Ball adjustment allows mounting on any flat surface

### Package Contents:

- 1 x VBV-30XC/32XC-C - Camera
- 1 x VBV-3XXC-RH - Rear Housing
- 1 x VBV-3XXC-FH - Front Housing
- 1 x VBV-3XXC-RM - Rubber Mat
- 1 x VBV-3XXC-FIX - Fixing Pack
- 1 x VBV-3X0C/3X1C-IG - Installation Guide

Brigade House The Mills Station Road South Darenth Kent DA4 9BD

Technical +44 (0) 1322 420347 marketing@brigade-electronics.com www.brigade-electronics.com

Specifications Subject To Change Without Notice



PS(VBV-30XC/32XC)00